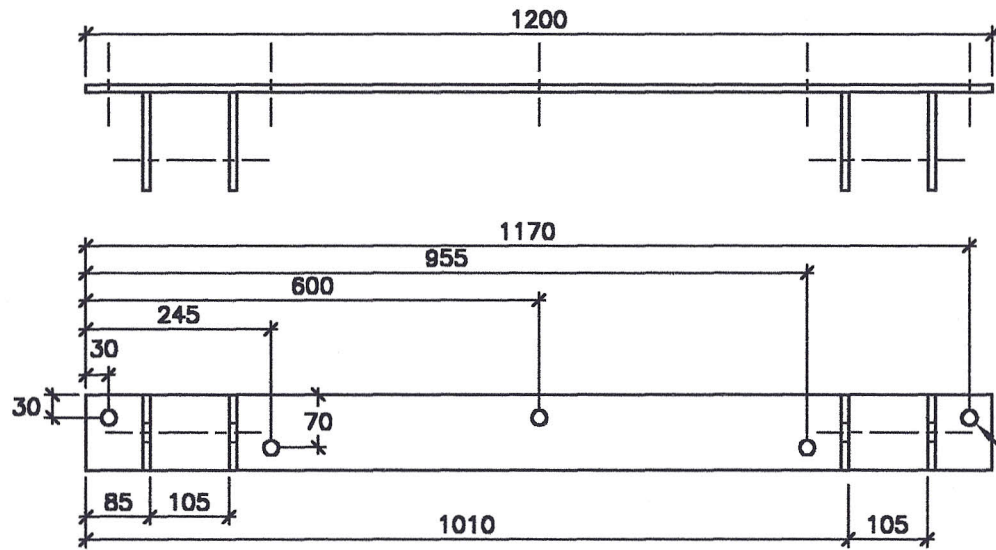
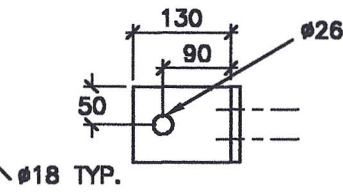


COPYRIGHT ALL RIGHTS RESERVED

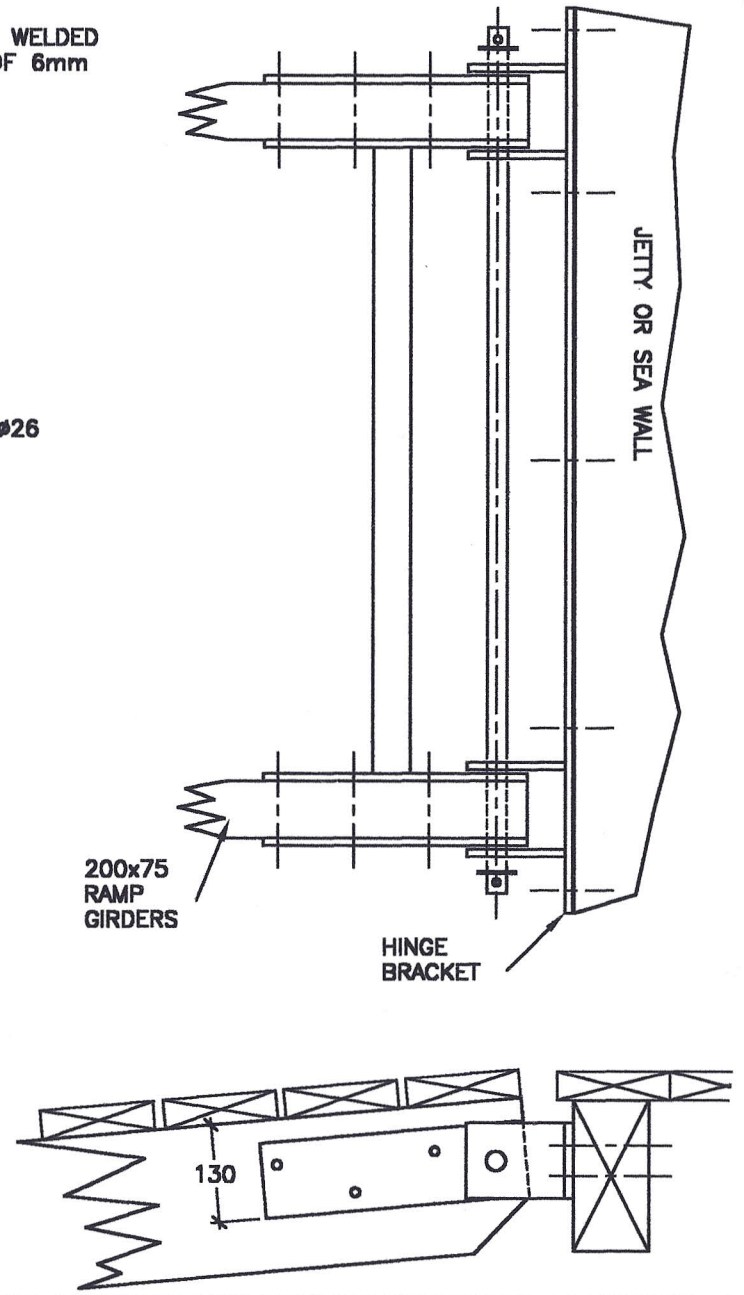
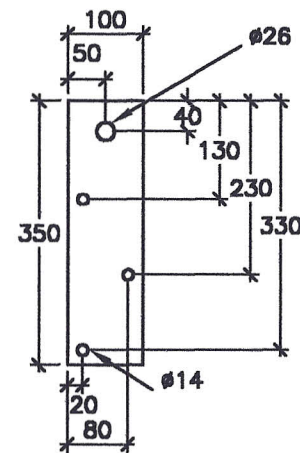
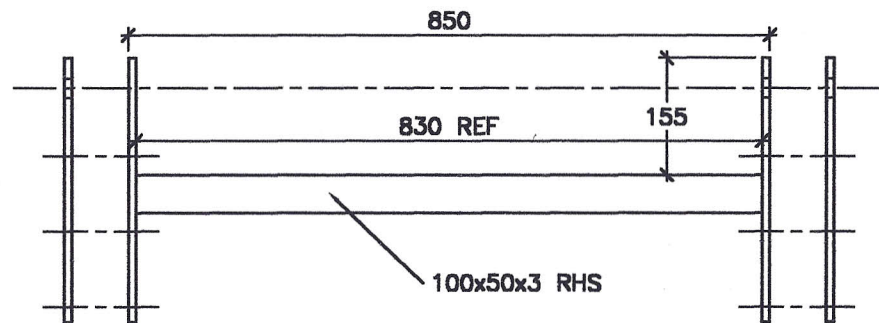
NOTE:  
 -HINGE BRACKET IS FULLY WELDED  
 WITH A NOMINAL FILLET OF 6mm  
 -ALL MATERIAL IS 304SS



ALL MATERIAL 100x10  
 FLAT 304SS



HINGE BASE



MARINE DOCK SYSTEMS  
 PTY LTD

DOMESTIC PONTOON  
 RAMP

RAMP HINGE BKT  
 ASSEMBLY



SCALE	N.T.S.	DWG	A4-2724	
DRAWN	JPM	REV	A	6,3,01
DATE	6,3,01	CHK	APP'D	