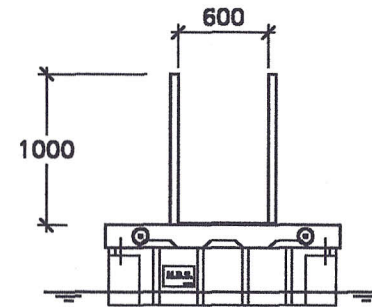
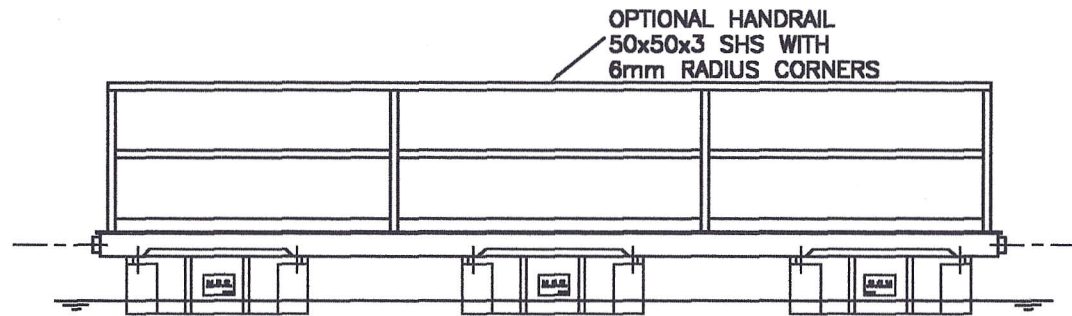


NOTE:

- ALL STRUCTURE IS FULLY WELDED ALUMINIUM.
- ALL EXTRUSIONS ARE OF GRADE 6063-T5 OR EQUIVALENT. DECKING IS AMPLIGRIP EXPANDED MESH 201/600
- FILLER ALLOY IS GRADE 5356.
- FLOTATION MODULES ARE MARINE DOCK SYSTEMS, POLYETHYLENE 900L FOAM FILLED WITH CLOSED CELL POLYURETHANE.
- ALL FASTENERS ARE 316SS



APPROX WEIGHT- 430kg

**MARINE DOCK SYSTEMS
PTY LTD**

FLOATING WALKWAY
6.0m x 0.6m

PONTOON-2817



SCALE	N.T.S.	DWG	A4-2817	
DRAWN	JPM	REV	B	26,8,02
DATE	26,8,02	CHK		APP'D