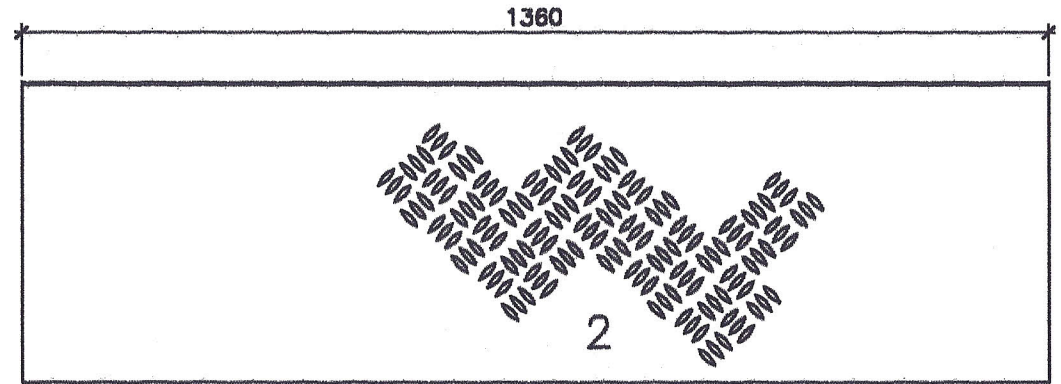
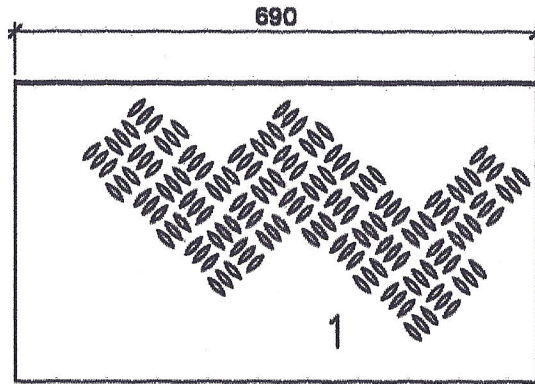
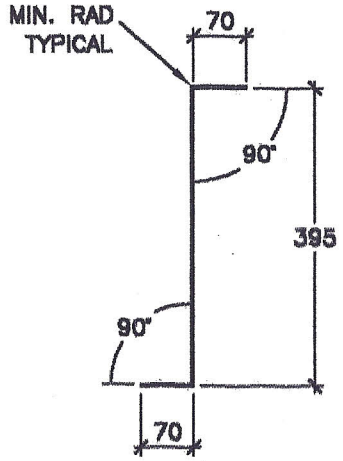
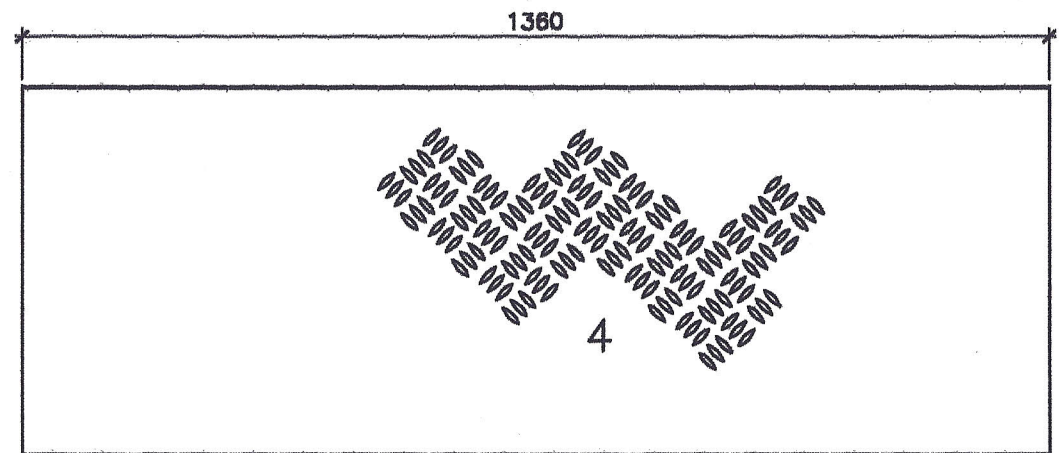
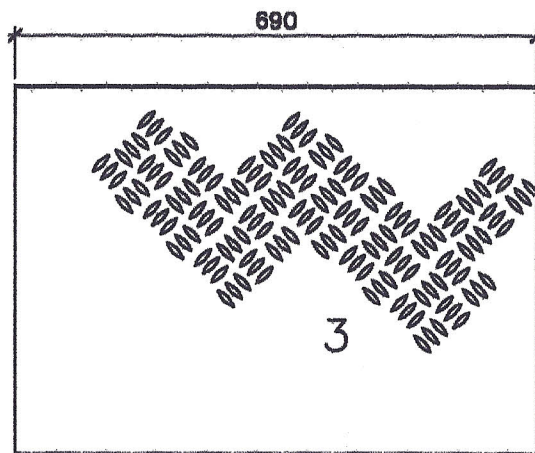
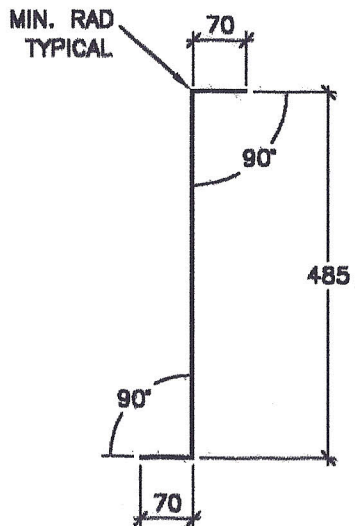


COPYRIGHT ALL RIGHTS RESERVED

DO NOT SCALE



SECTION PROFILE
FOR PLATES 1 & 2



SECTION PROFILE
FOR PLATES 3 & 4

REMOVE ALL SHARP EDGES
MATERIAL-3mm ALUMINIUM TREADPLATE

**MARINE DOCK SYSTEMS
PTY LTD**

SLUDGE POND
PONTOON JOB-229

DECKING INFILL



SCALE	N.T.S.	DRAWING No.	
DRAWN	J.P.M	A4-2931	
DATE	15,7,03	REV	A