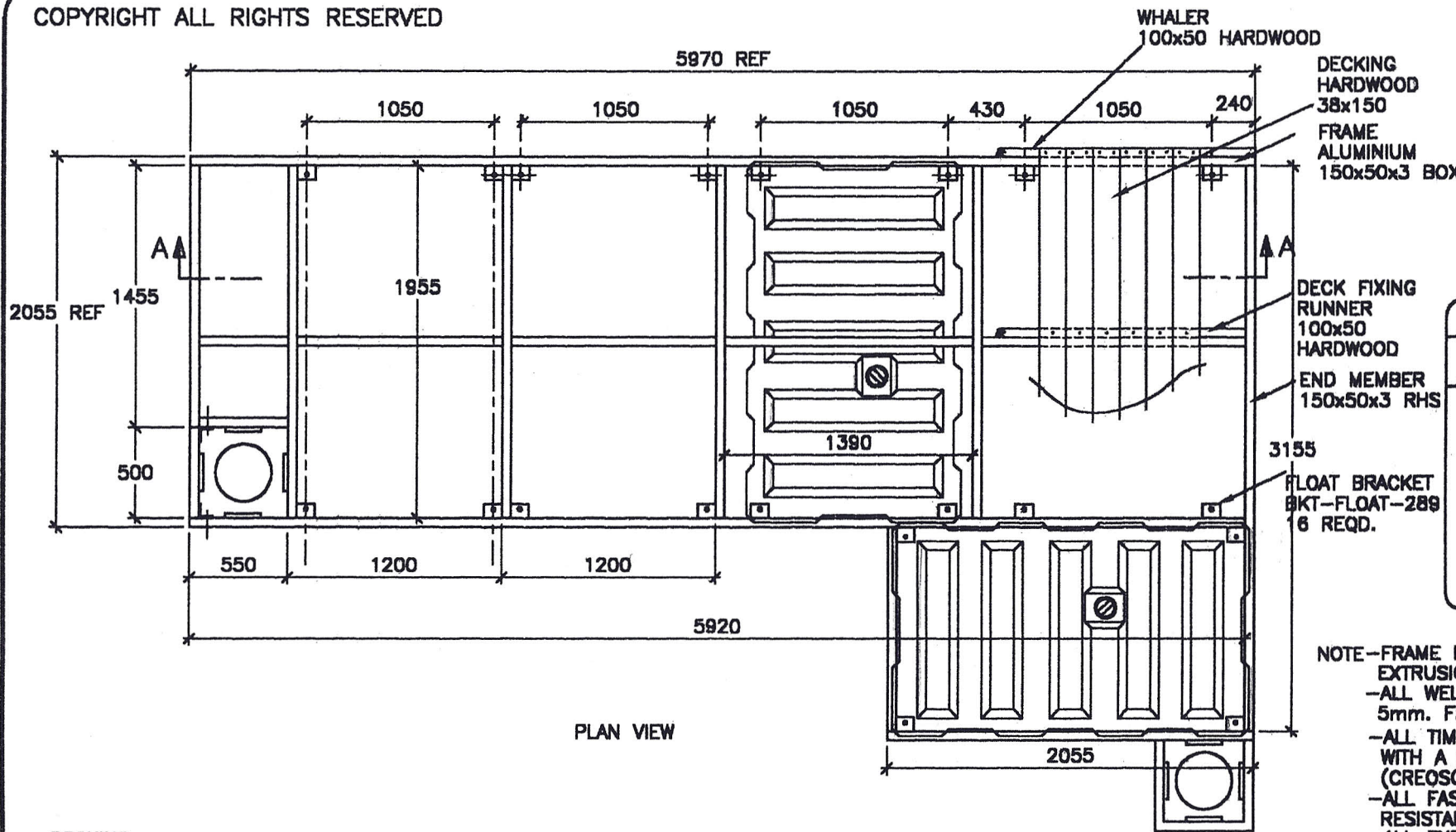


COPYRIGHT ALL RIGHTS RESERVED

DO NOT SCALE

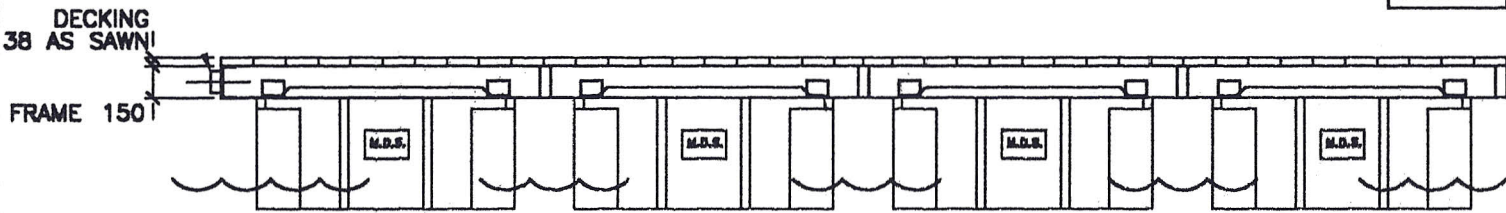


FOR ADDITIONAL ASSEMBLY DETAILS, REFER TO THE FOLLOWING DRAWINGS.  
 FLOAT AND DECK- A4-1503  
 COMTOR- A4-1877

**FASTENERS REQUIRED.**

PART No.	ITEM	QTY. REQD.
737	3/8" BOLTx3 1/2"	16
370	3/8" BOLTx4"	12
742	3/8" BOLTx4-1/2"	12
372	1" WASHER	48
296	1 1/2" WASHER	32
371	3/8" NYLOC NUT	40
729	DECK SCREW	210
731	BUFFER SCREW	42

NOTE-FRAME IS FULLY WELDED ALUMINIUM EXTRUSION OF GRADE 6063-T5.  
 -ALL WELDS ARE A NOMINAL FILLET OF 5mm. FILLER IS GRADE 5356.  
 -ALL TIMBER IS TO BE TREATED WITH A SUITABLE PRESERVATIVE. (CREOSOTE, DECKING PAINT, ETC)  
 -ALL FASTENERS ARE CORROSION RESISTANT STAINLESS STEEL.  
 -ALL EXPOSED BOLTS ARE TO BE RECESSED INTO THE TIMBER BY COUNTER BORING.  
 -ALL BOLT THREADS ARE TO BE TREATED WITH ANTI-SIEZE OR EQUIVALENT LUBRICATING COMPOUND PRIOR TO FASTENING.  
 -THIS DRAWING IS FOR A PONTOON OF TYPICAL DESIGN. ENGINEERING EVALUATION SHOULD BE PERFORMED FOR THE PONTOONS SUITABILITY FOR EACH PARTICULAR INSTALLATION.



DECK AREA 12.86m<sup>2</sup>  
 APPROX. WEIGHT 925kg

<b>MARINE DOCK SYSTEMS PTY LTD</b>	6.0mx3.3m L 5x 1200L FLOATS	PONTOON -2950		DRAWING No.	
				SCALE	N.T.S.
				DRAWN	J.P.M
		<b>A4-2950</b>		DATE	19,3,99
				REV	A