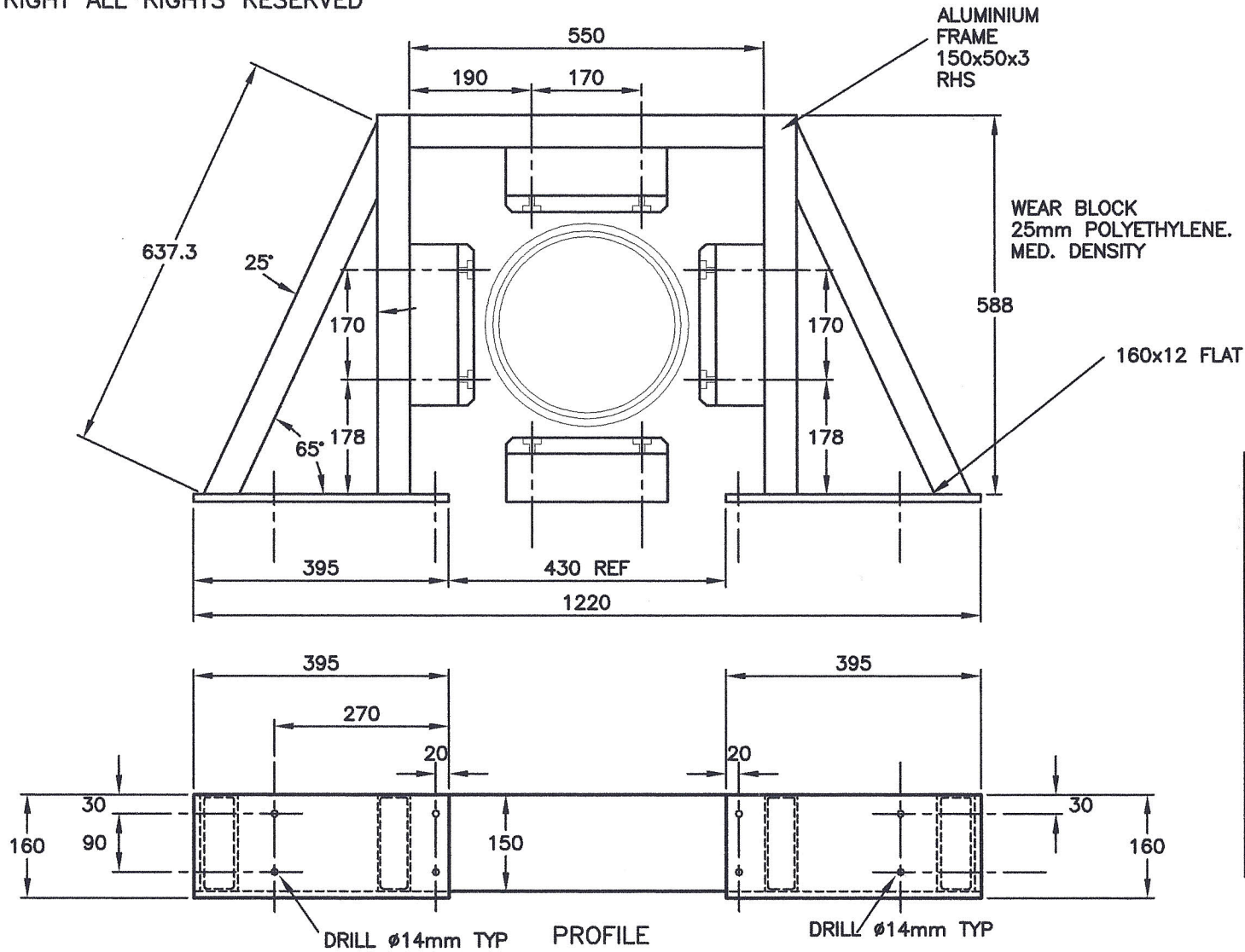
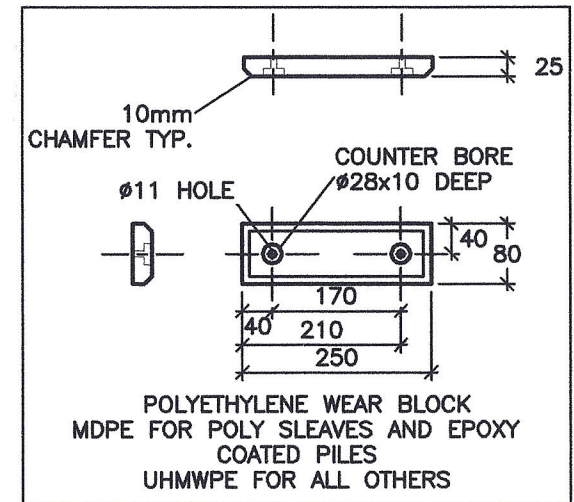


COPYRIGHT ALL RIGHTS RESERVED

DO NOT SCALE



NOTE--ALL STRUCTURE IS FULLY WELDED WITH A FILLET OF 5mm
 --FILLER ALLOY IS GRADE 5356.
 --ALL ESTRUSIONS ARE GRADE 6063-T5 OR EQUIVALENT.



SUIT CONCRETE, STEEL, PLASTIC SLEAVED AND TIMBER PILES

**MARINE DOCK SYSTEMS
 PTY LTD**

**OUTSIDE PILE
 GUIDE-1250 FINGER**

**FABRICATION
 DETAIL**



SCALE	N.T.S.	DWG	A4-2968-5	
DRAWN	J.P.M	REV	B	14,4,03
DATE	14,4,03	CHK		APP'D