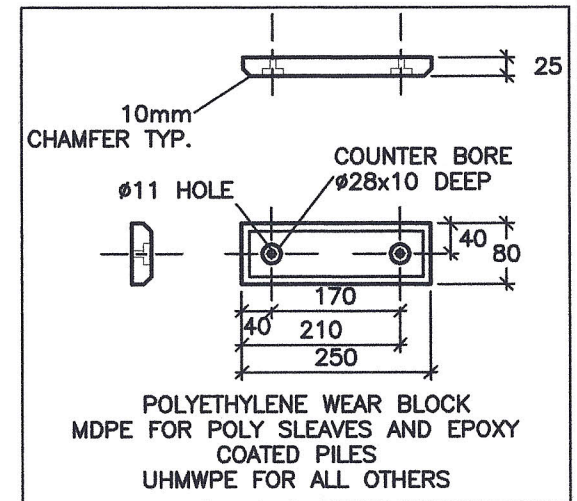


NOTE—ALL STRUCTURE IS FULLY WELDED WITH A FILLET OF 5mm  
 —FILLER ALLOY IS GRADE 5356.  
 —ALL ESTRUSIONS ARE GRADE 6063-T5 OR EQUIVALENT.



PROFILE

DRILL Ø14mm TYP

SUIT CONCRETE, STEEL, PLASTIC SLEAVED AND TIMBER PILES

**MARINE DOCK SYSTEMS  
 PTY LTD**

**OUTSIDE PILE  
 GUIDE—CORNER**

**FABRICATION  
 DETAIL**



SCALE	N.T.S.	DWG	<b>A4-2968-7</b>	
DRAWN	J.P.M	REV	B	14,4,03
DATE	14,4,03	CHK		APP'D