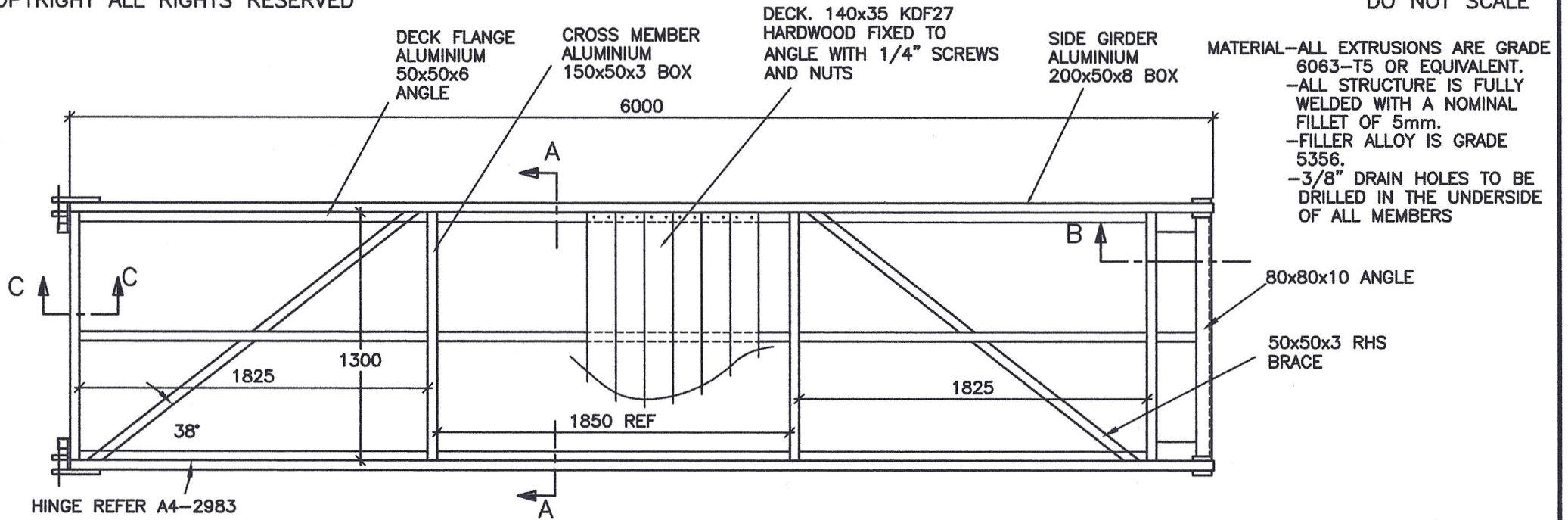


COPYRIGHT ALL RIGHTS RESERVED

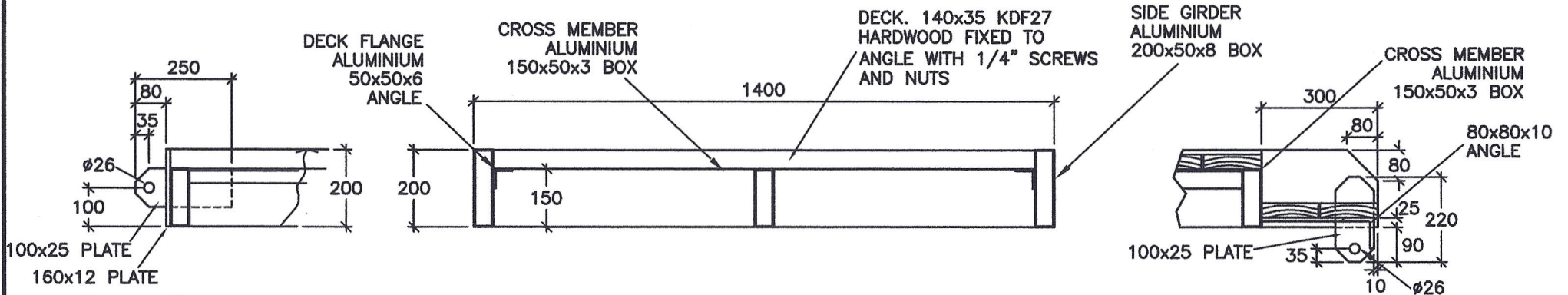
DO NOT SCALE



PLAN VIEW



PROFILE VIEW



RAMP DETAIL SECTION CC

RAMP DETAIL SECTION AA

RAMP DETAIL SECTION BB

**MARINE DOCK SYSTEMS
 PTY LTD**

1.4m x 6.0m
 ALLOY —TIMBER RAMP
 WITH STEP

RAMP-2982



SCALE	N.T.S.	DRAWING No.	
DRAWN	J.P.M	A4-2982	
DATE	9/1/03	REV	A