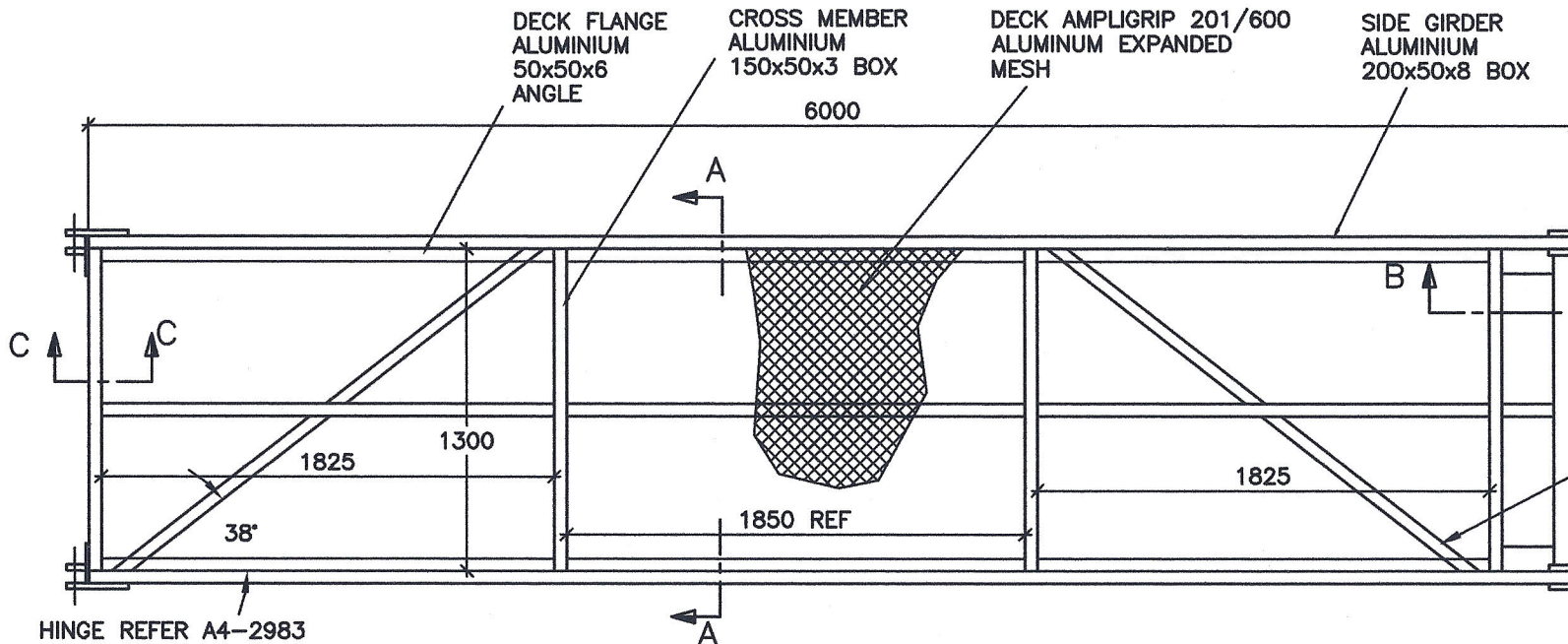


COPYRIGHT ALL RIGHTS RESERVED

DO NOT SCALE



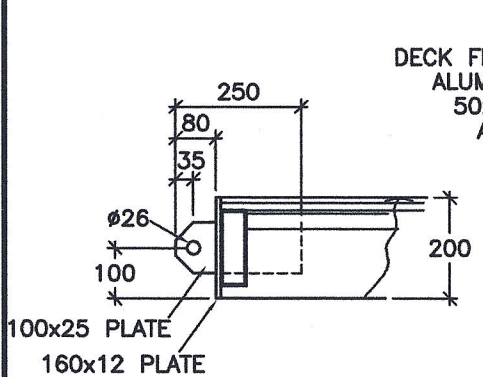
MATERIAL-ALL EXTRUSIONS ARE GRADE 6063-T5 OR EQUIVALENT.
 -ALL STRUCTURE IS FULLY WELDED WITH A NOMINAL FILLET OF 5mm.
 -FILLER ALLOY IS GRADE 5356.
 -3/8" DRAIN HOLES TO BE DRILLED IN THE UNDERSIDE OF ALL MEMBERS

80x80x10 ANGLE
 50x50x3 RHS BRACE

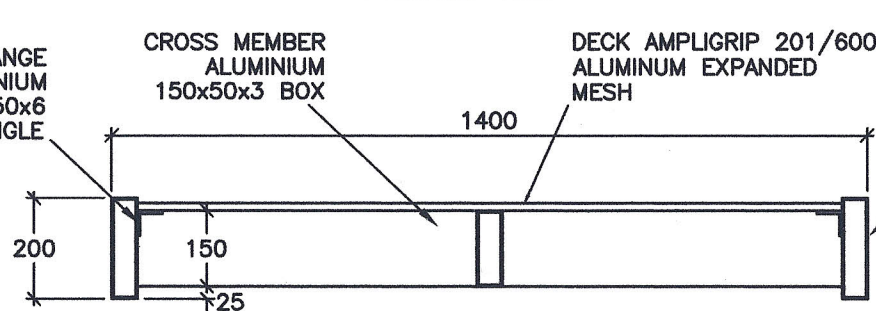
PLAN VIEW



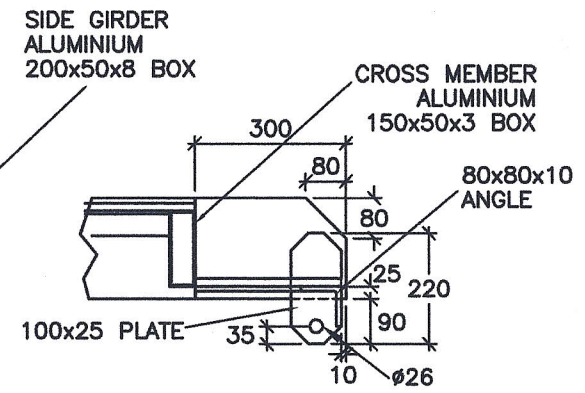
PROFILE VIEW



RAMP DETAIL SECTION CC



RAMP DETAIL SECTION AA



RAMP DETAIL SECTION BB

**MARINE DOCK SYSTEMS
 PTY LTD**

1.4m x 6.0m
 ALLOY -MESH RAMP
 WITH STEP

RAMP-2982X



SCALE	N.T.S.	DRAWING No.	
DRAWN	J.P.M	A4-2982X	
DATE	9/1/03	REV	A