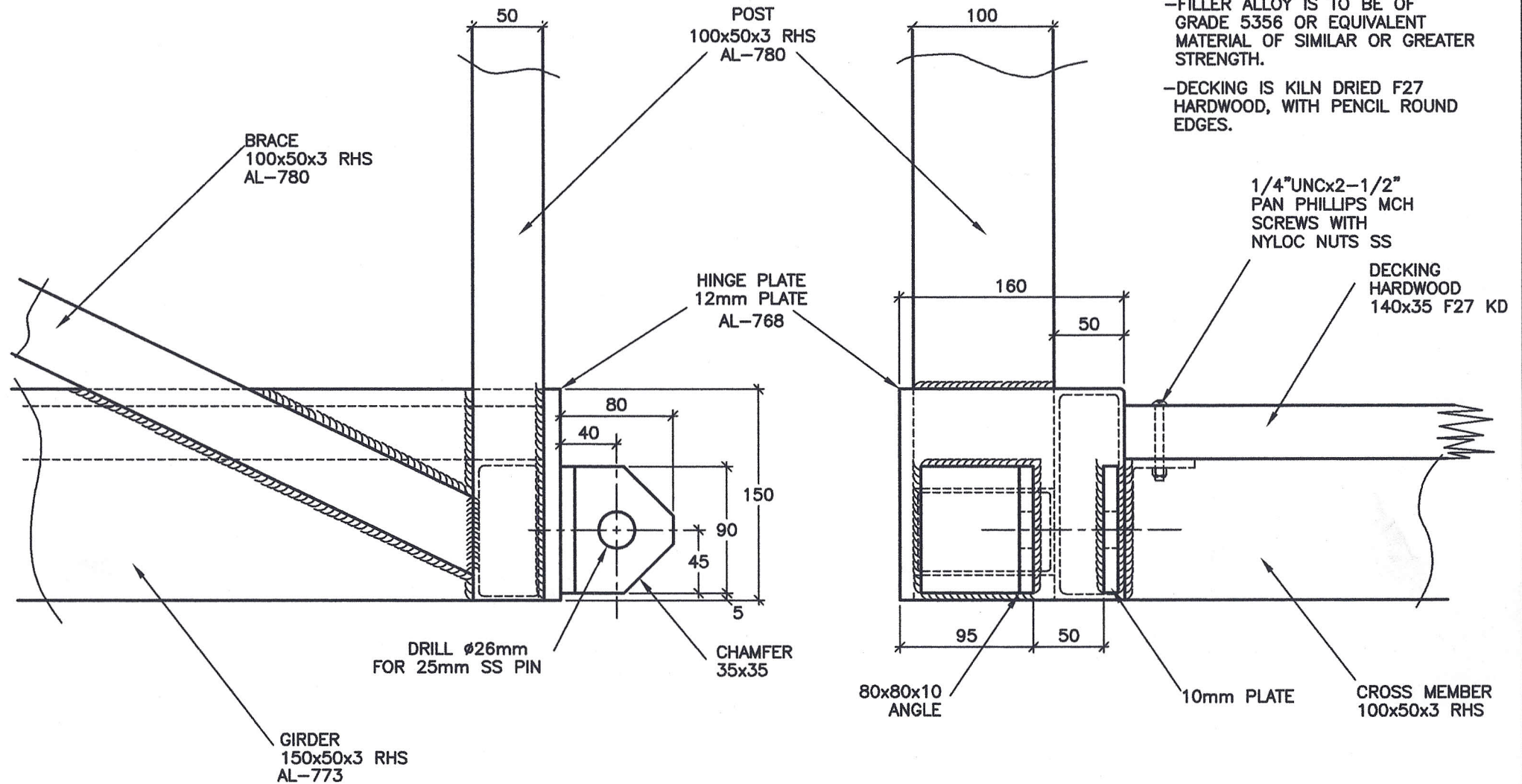


ALL WELDS 5mm

NOTE--ALL STRUCTURE IS FULLY WELDED WITH A FILLET OF 5mm
 --ALL EXTRUSIONS ARE TO BE OF GRADE 6063-T5 OR EQUIVALENT
 --FILLER ALLOY IS TO BE OF GRADE 5356 OR EQUIVALENT MATERIAL OF SIMILAR OR GREATER STRENGTH.

--DECKING IS KILN DRIED F27 HARDWOOD, WITH PENCIL ROUND EDGES.



**MARINE DOCK SYSTEMS
 PTY LTD**

**ACCESS RAMP
 DETAIL**

HINGE DETAIL



SCALE	N.T.S.	DWG	A4-1929	
DRAWN	J.P.M	REV	A	18,5,99
DATE	18,5,99	CHK	APP'D	