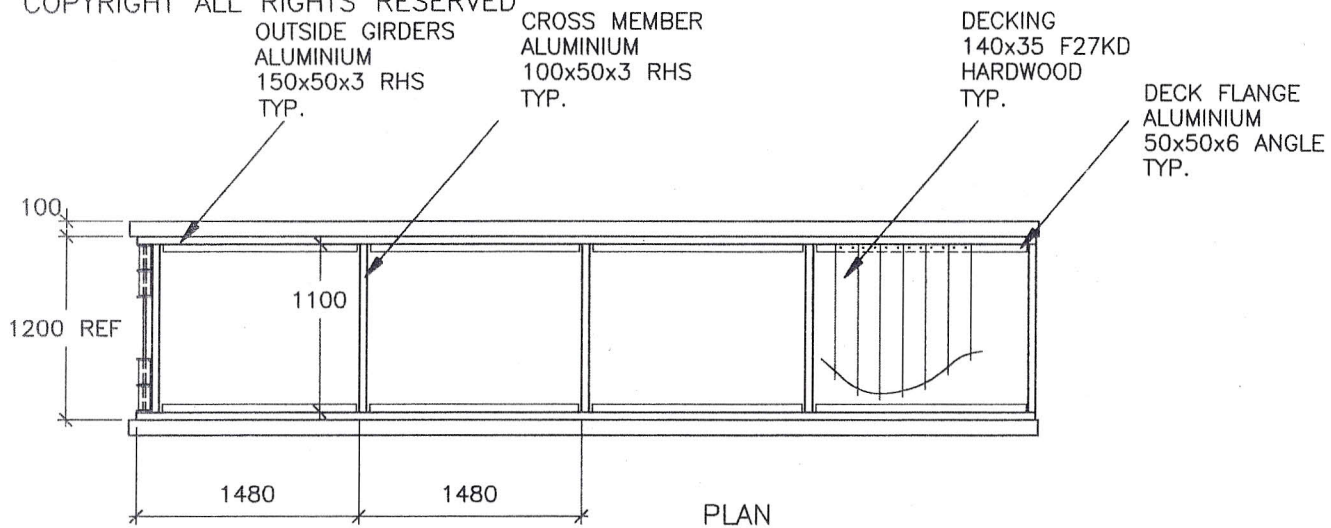
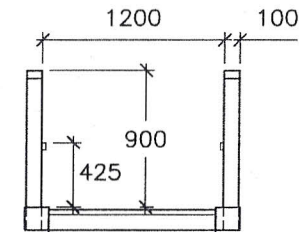
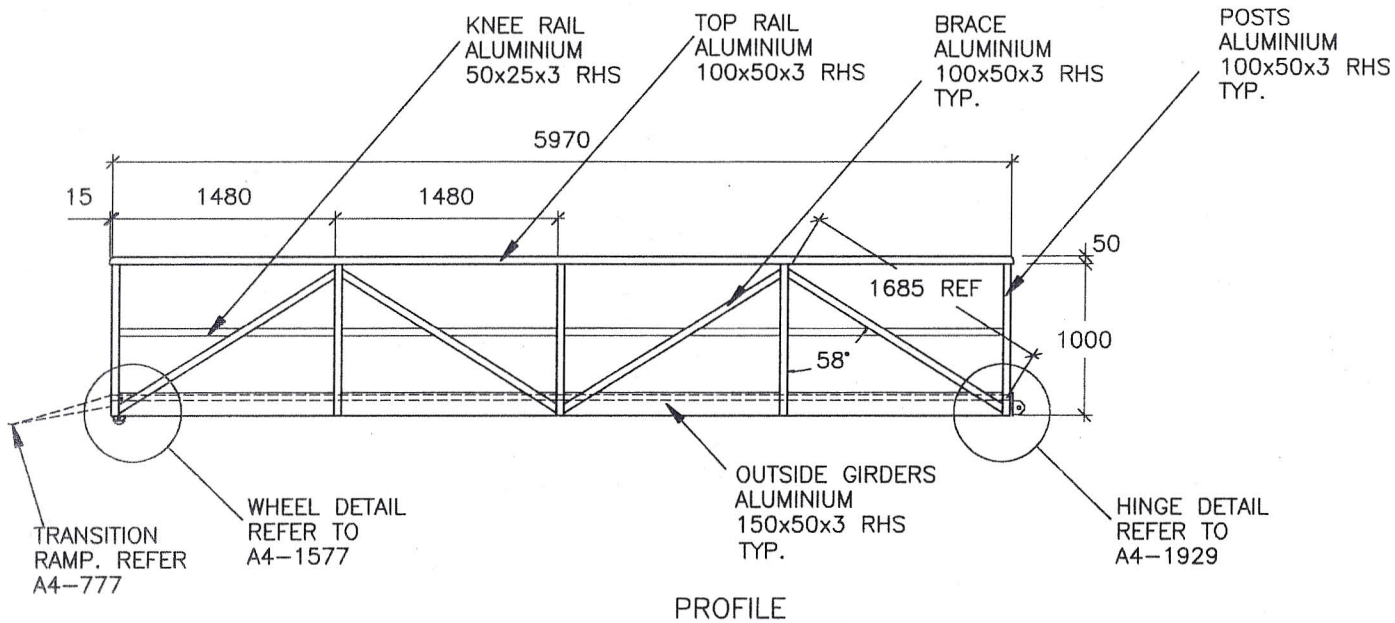


COPYRIGHT ALL RIGHTS RESERVED

DO NOT SCALE



NOTE—ALL STRUCTURE IS FULLY WELDED WITH A NOMINAL FILLET RADIUS OF 5mm.
 —ALL EXTRUSIONS ARE OF GRADE 6063-T5 OR EQUIVALENT.
 —FILLER ALLOY IS OF GRADE 5356
 —ALL 100x50x3 RHS ARE TO HAVE 6mm RADIUS EDGE.
 —ALL OTHER RHS TO HAVE 3mm RADIUS EDGE



APPROX. WEIGHT—390kg

**MARINE DOCK SYSTEMS
PTY LTD**

6.0m x 1.2m
ALUMINIUM RAMP

RAMP-1940



SCALE	N.T.S.	DWG	A4-1940	
DRAWN	J.P.M	REV	A	26,5,99
DATE	26,5,99	CHK	APP'D	