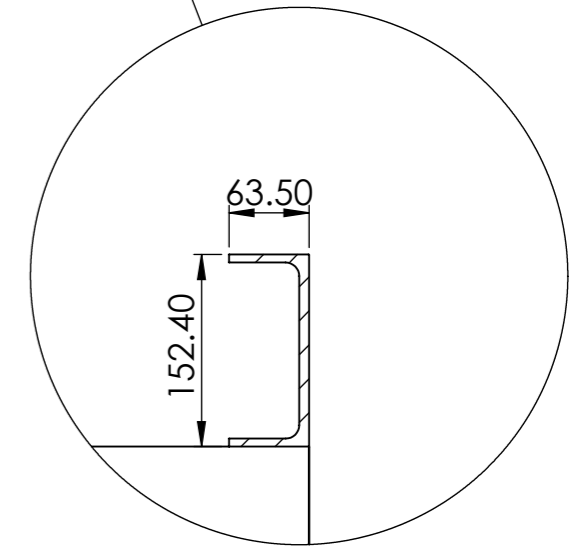
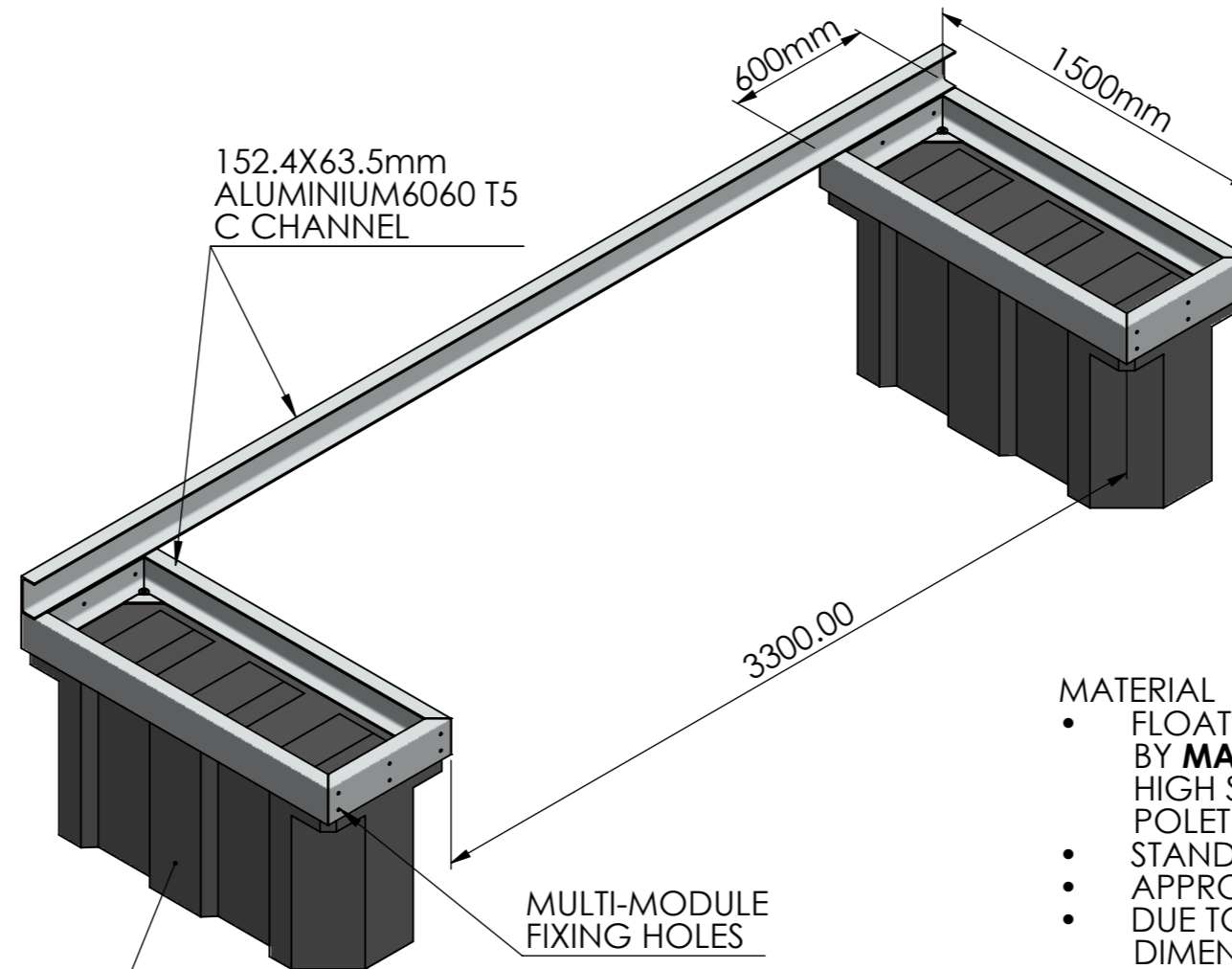


SECTION A-A



DETAIL B  
SCALE 1 : 6

FLOAT MODULES 550L DRAWING NO. A4-1052  
SUPPLIED BY **MARINE DOCK SYSTEMS**  
MOULDED BY **DYNAPLAS PTY LTD**

[www.marinedocksystems.com.au](http://www.marinedocksystems.com.au)

**MATERIAL**

- FLOATION MODULES ARE MANUFACTURED BY **MARINE DOCK SYSTEMS** FROM U.V STABILISED, HIGH STRESS CRACK RESISTANT, LINEAR POLETHYLENE.
- STANDARD COLOUR- BLACK
- APPROX. WEIGHT - 30KG
- DUE TO MANUFACTURING PROCESS, FLOAT DIMENSIONS MAY VARY
- ALUMINIUM 6060 T5 OR EQUIVALENT FRAME DESIGN

**NOTE:**

PICTURED IS A SINGLE MODULAR SYSTEM THAT CAN BE BOLTED TOGETHER TO ACHIEVE DESIRED RUN OF OYSTER LEASES.

FOR ADDITIONAL TECHNICAL INFO CONSULT  
**MARINE DOCK SYSTEMS** (02) 9627557